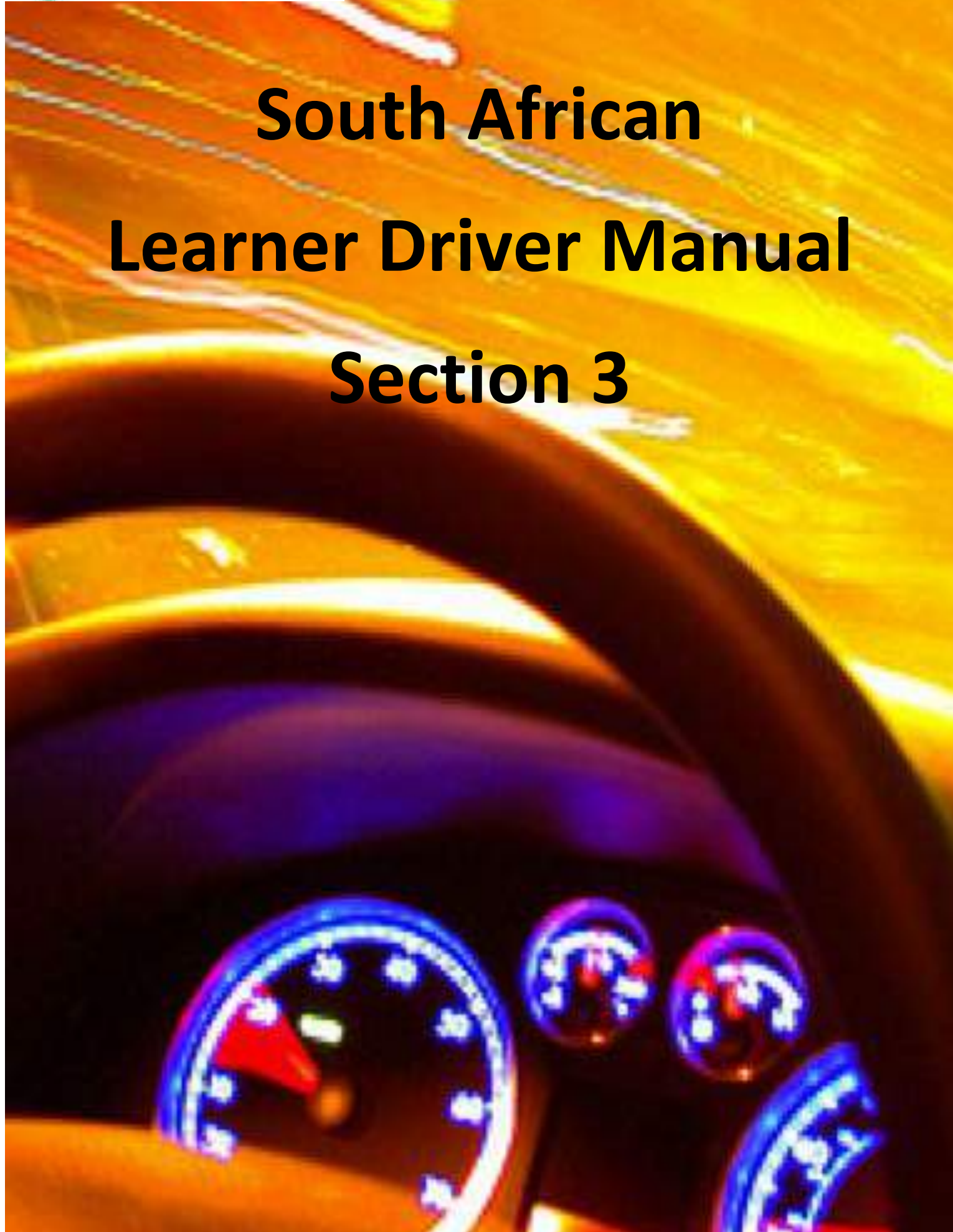




transport

Department:
Transport
REPUBLIC OF SOUTH AFRICA

South African Learner Driver Manual Section 3



COMPILED BY THE DEPARTMENT OF TRANSPORT OF THE REPUBLIC OF SOUTH AFRICA

Department of Transport

Forum Building

157 Struben Street

Pretoria

0001

www.transport.gov.za

Tel: +27 12 309 3000

Disclaimer:

This manual is the property of the Department of Transport and may not be copied and distributed for any financial gain.

DRAFT

3. VEHICLE COMPONENTS AND CONTROLS MANUAL

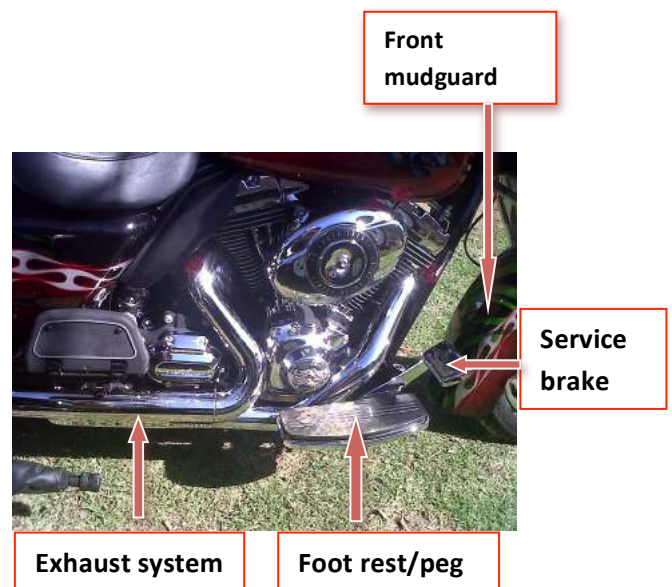
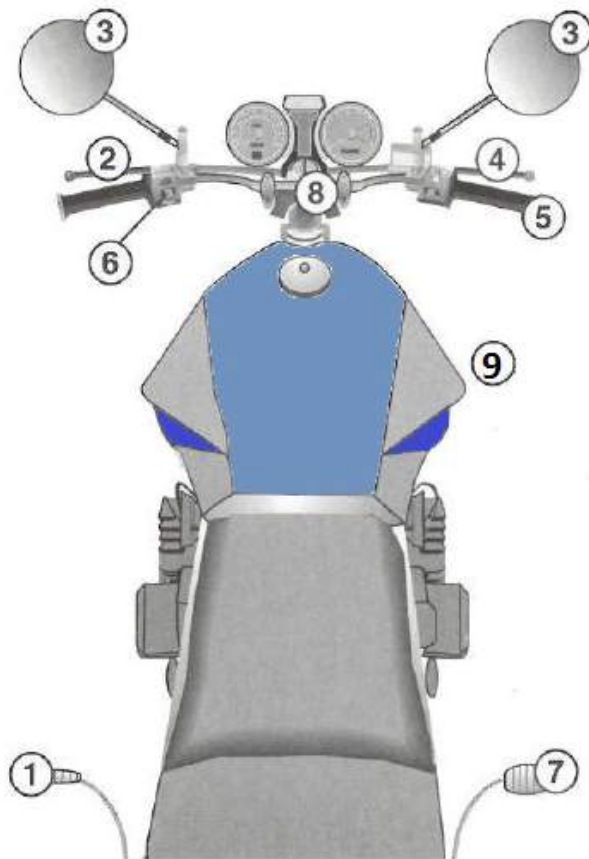
1 General

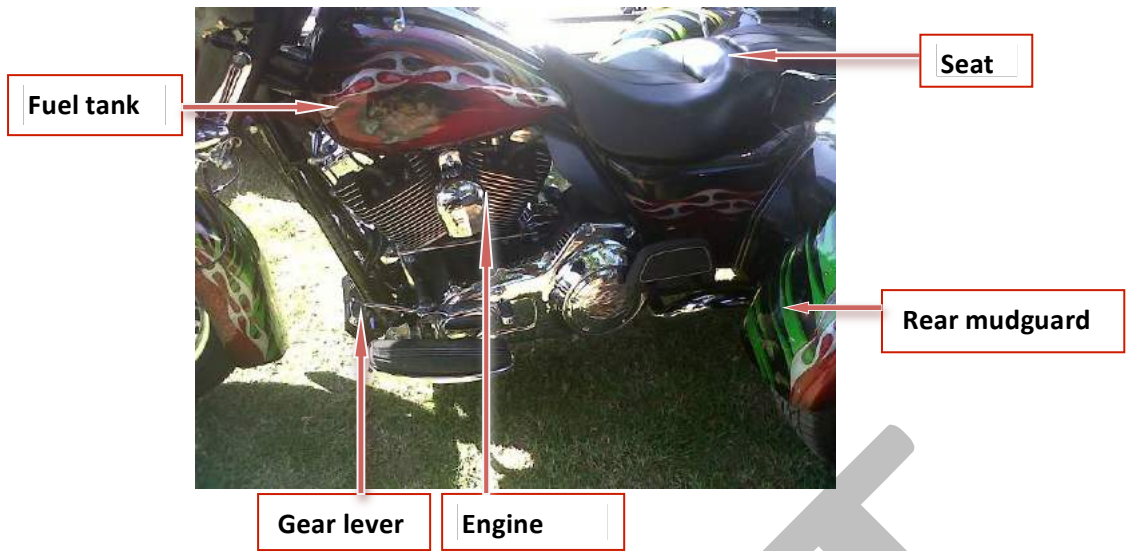
The aim of this document is to familiarise a learner driver with the major visual components of a motor vehicle or motor cycle. The intention is also to assist the learner driver to identify the controls that needs to be used in conjunction to complete a certain manoeuvre or action.

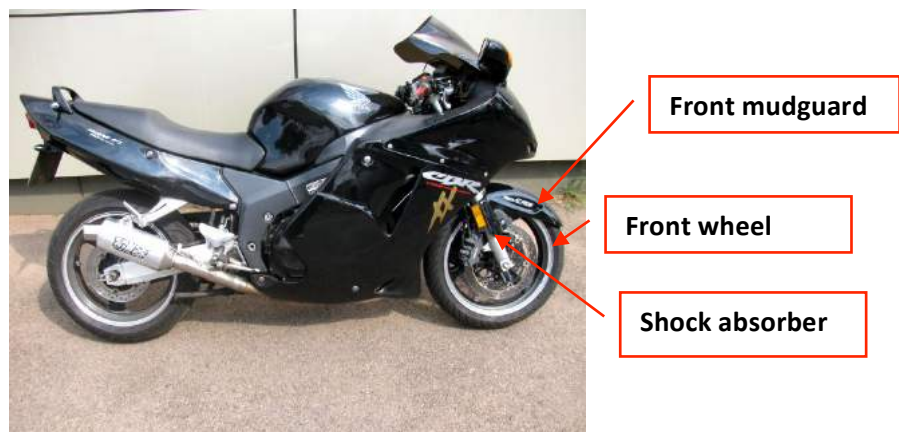
The controls/components of the following vehicles are covered in this guide.

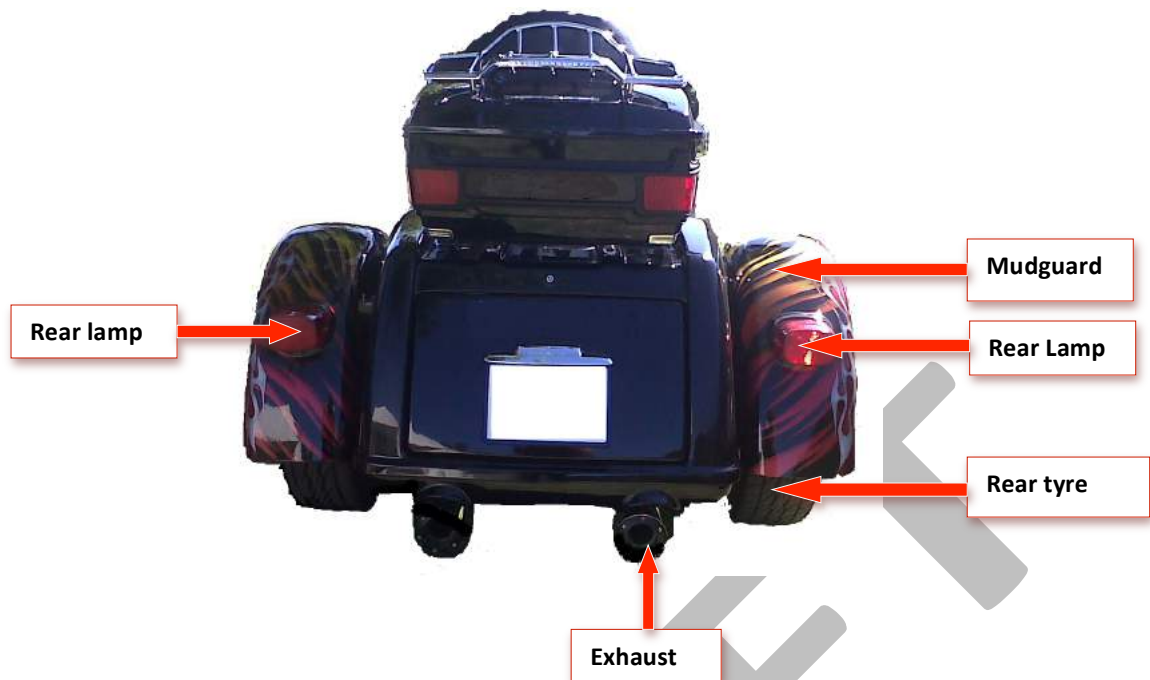
- Motor cycles (Electric Scooter and motor cycle)
- Light motor vehicles (Manual and automatic gear box)
- Heavy Motor Vehicle (Manual and automatic gear box)

1.1 Components and controls of a Motor cycle









1.2 Identification of Controls

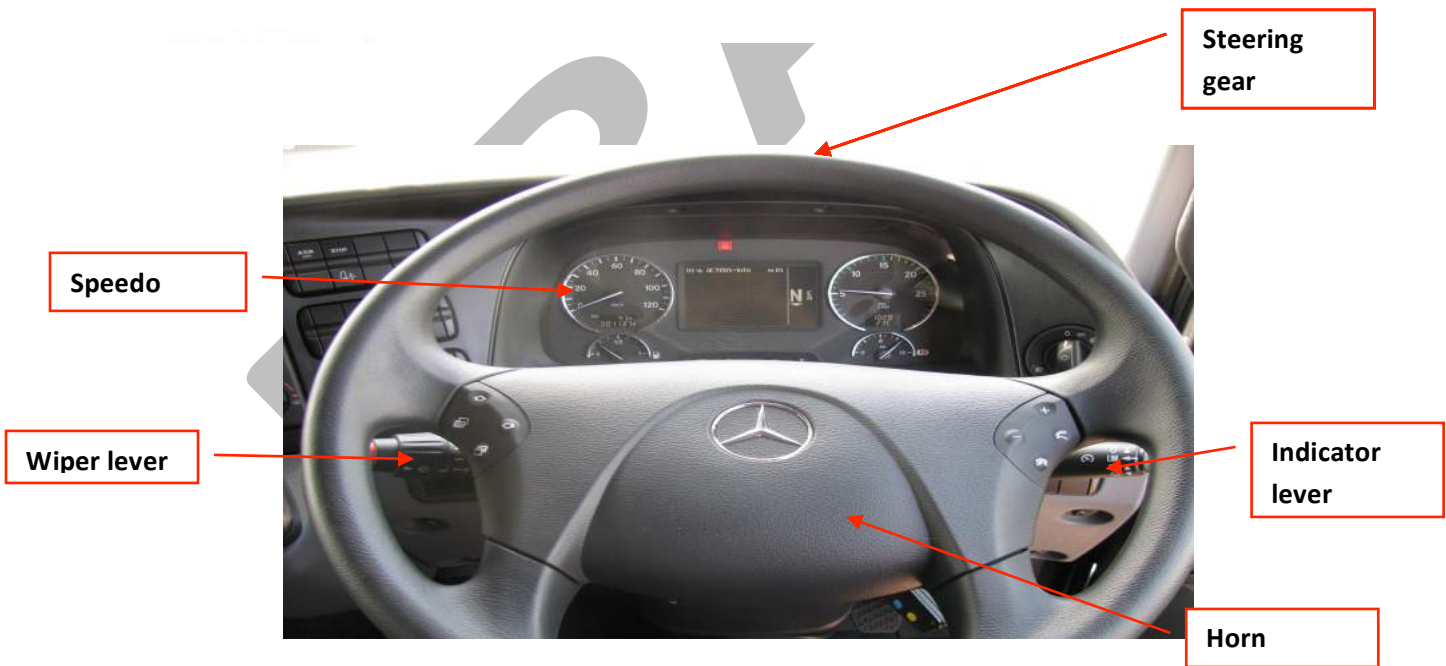
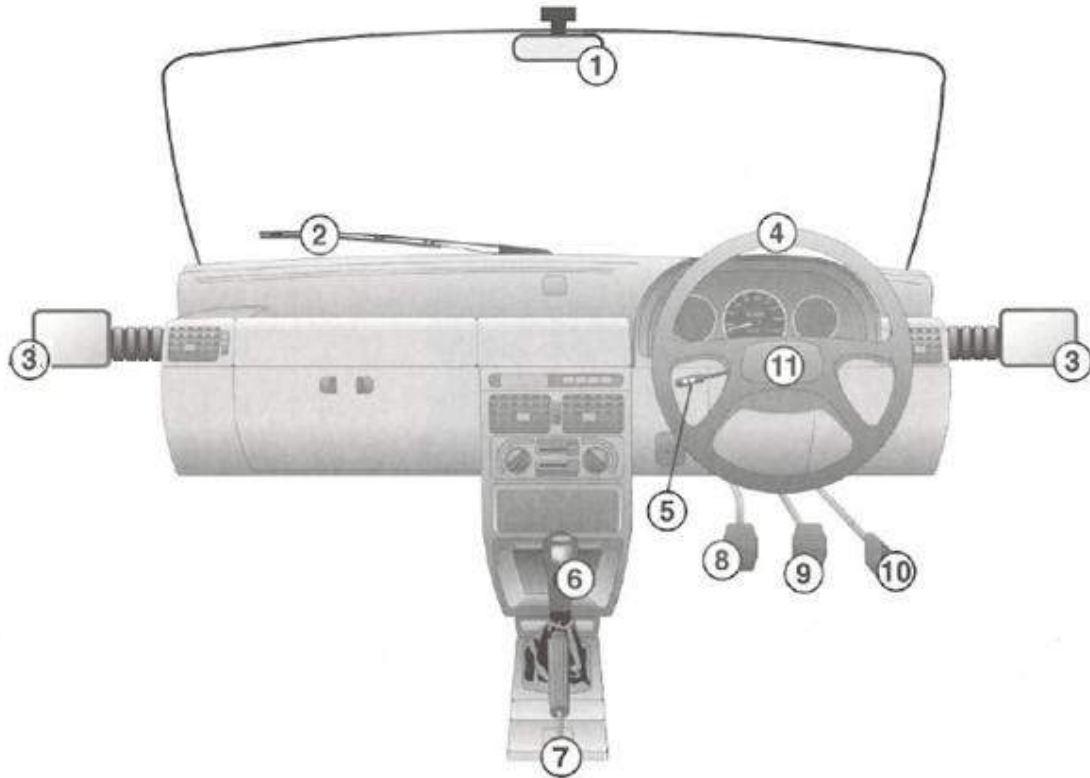
Component Number	Description of Component
1	Gear lever
2	Clutch
3	Left and right rear view mirrors
4	Front Brake
5	Throttle
6	Indicator light switch
7	Rear brake (operated by foot)
8	Handle bars
9	Fuel tank

1.3 SAMPLE QUESTIONS

QUESTION	ANSWER
To regulate the fuel supply to the engine you will make use of the	5
In the case of a motorcycle the lever that applies the front brake and activates the stop lamp is ...	4
On a motorcycle the lever that applies the rear brake is ...	7
The following controls are used in combination to bring the motorcycle to a complete standstill. () .	Front and rear brakes no 4 and 7
The following control is used to increase or decrease the speed of a motorcycle	5
The following controls are used to control the speed of a motorcycle.	4 + 5 + 7
The switch to activate indicator signals and thereby to communicate your intentions, is ...	6
The twist grip that controls the engine speed, is ...	5
The following controls are used to change gears...	1 and 2
The following control is used to indicate that you are going to turn ...	6
To ride faster, you must use control...	5
To stop, you must use the following controls ...	4 and 7
In order to turn the motor cycle, you must use control ...	8
When controls 4 and 7 are used, the distance it takes you to stop your motor cycle is ... (i) longer on a wet road than on a dry road. (ii) longer if you ride at a higher speed. (iii) longer if carrying a passenger.	All of the options are correct
SELECT THE CORRECT COMBINATION	
Which control is used by the rider of a motorcycle to monitor the traffic situation to the rear of the motorcycle?	3
Which control is used to disengage the engine from the gearbox?	2
Which control is used to check traffic to the rear?	3
Which control is used when the rider of a motorcycle wants to signal his intention to steer to the left?	6
Which controls must be used in combination immediately before coming to a standstill?	2 , 4 and 7
In order to negotiate a sharp turn in the road the following controls must be used...	1, 2, 3, 4, 5, 7 and 8
Which lever is used to change the gears?	1

2 Components and Controls of a Light Motor vehicle

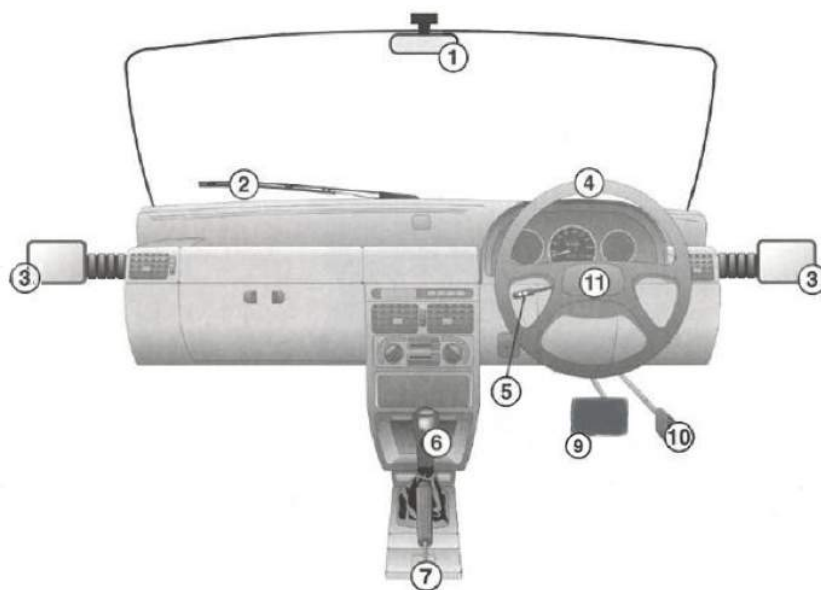
2.1 Light Motor Vehicle - Manual gearbox



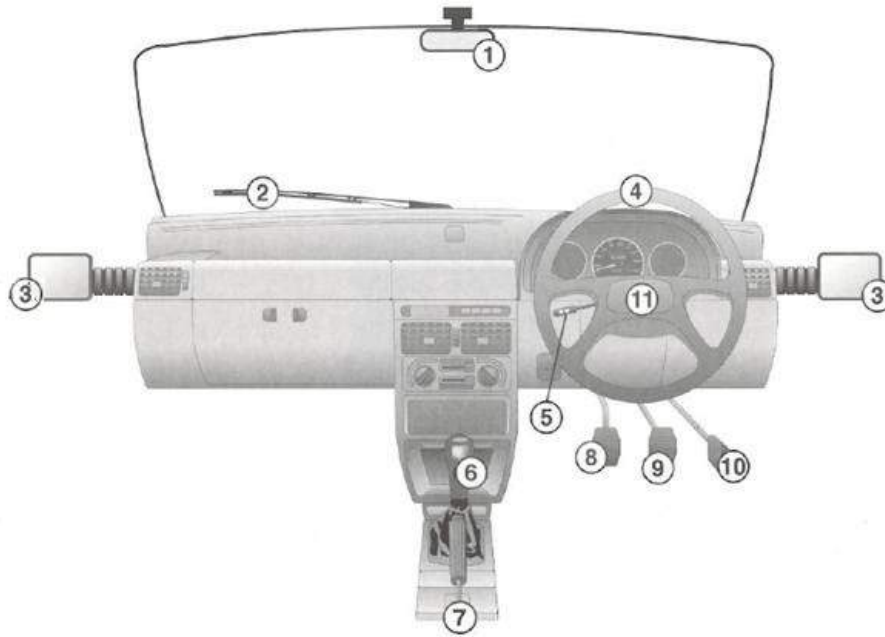
2.2 Identification of Controls

Component Number	Description of Component
1	Centre rear view mirror
2	Window wiper
3	Left and right rear view mirrors
4	Steering wheel
5	Indicator light switch
6	Gear level
7	Hand brake Note that some vehicle might have the hand brake as a foot operated control (e.g. Mercedes-Benz)
8	Clutch
9	Brake
10	Accelerator
11	Horn

2.3 Light Motor Vehicle - Automatic Gearbox



2.4 Light motor vehicle manual gearbox



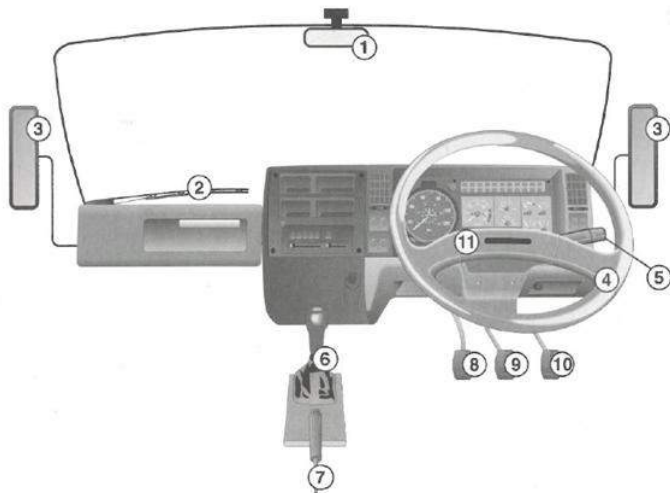
2.5 Identification of Controls

Component No	Description of Component
1	<p>Centre rear view mirror</p> <p>Note: The driver must always first check the mirrors to be aware of the traffic situation behind him or her. This will assist the driver to avoid possible unsafe situations.</p>
2	Window wiper
3	Left and right rear view mirrors
4	Steering wheel
5	Indicator light switch
6	<p>Gear lever– Note: The gear lever for an automatic vehicle operates differently from a manual gear box system.</p>
7	<p>Parking brake-Note: that some vehicles might have the parking brake as a foot operated control (e.g. Mercedes-Benz)</p>
8	Automatic vehicles do not have a clutch control.
9	Brake
10	Accelerator
11	Horn

2.6 SAMPLE QUESTIONS

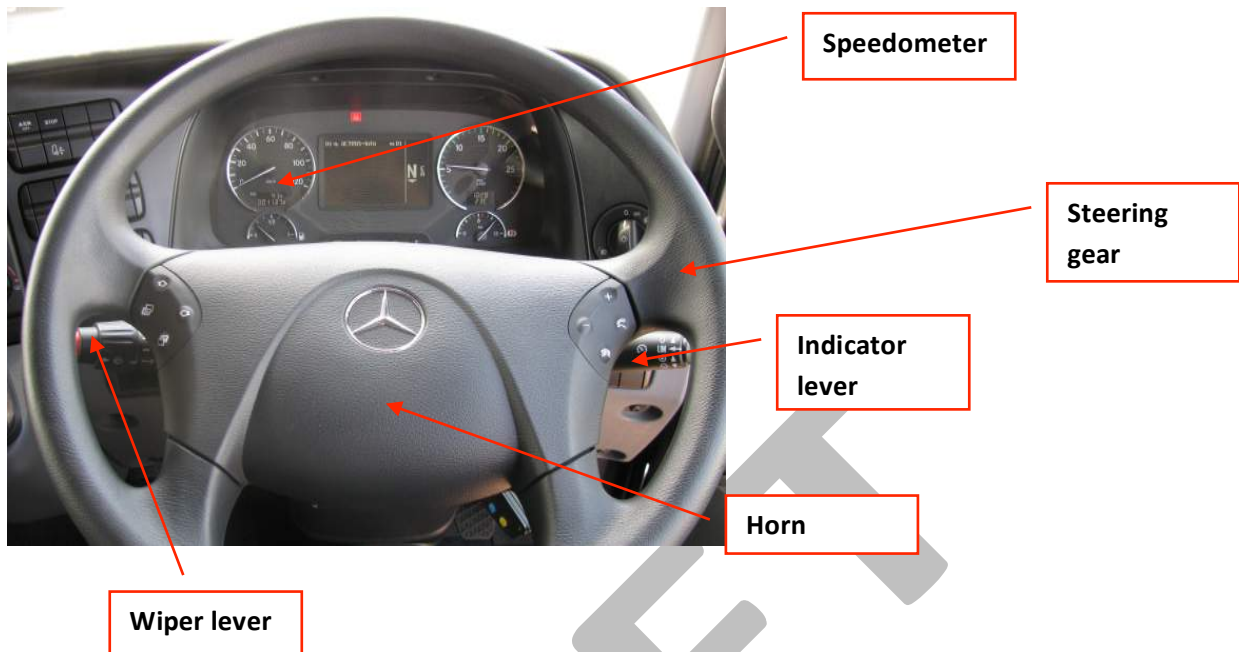
QUESTION	ANSWER
Which control is not found in an automatic vehicle?	8
Which control would you use to look what is on the right hand rear-side of your vehicle?	3
The following control is used to accelerate your vehicle...	10
What control is used to ensure that your parked vehicle does not move...	7
In order to change a gear, you must use control/s ...	6 and 8.
To stop your vehicle you must use number ...	9
When braking the distance it takes the driver of a motor vehicle to stop is ... (i) longer on a wet road than on a dry road. (ii) longer if the vehicle is travelling at a higher speed. (iii) longer if the vehicle is loaded. SELECT THE CORRECT COMBINATION	All of the options are correct
The control that assists the driver when engaging or disengaging a gear is?	8
The speed of the vehicle can be increased by control?	10
Which control is used before applying the brake in order to slow down or stop.	1
Which control is used before changing direction of a vehicle?	5
Which control is used before changing the speed of the vehicle?	1
Which control is used to advise other road users of your intention to steer to the left or right, or to turn to the left or right.	5
The following control is used to alert other road users in order to avoid a collision?	11
Which control is used to avoid the vehicle stalling just before coming to a complete standstill?	8
In order to bring the vehicle to a complete standstill, what control is used?	9
Which control is used to change the direction of the vehicle?	4
Which control is used to clean the front windscreen of the vehicle?	2
Which control is used to decrease speed or stop?	9
Which control is used to keep the vehicle stationary after parking?	7
Which control is used to see what is to the rear of the vehicle?	1
Which control is used to select a gear?	6
The control used to steer the vehicle to the left or right is?	4
The following control is used to turn...	4
When driving in the rain the following control is used...	2
Which control is used when parking and leaving a vehicle unattended?	7
The control that must be used to ensure the vehicle remains stationary is?	7
Which control(s) is used to stop the vehicle in an emergency?	9
Which control(s) is/are used to see what is to the rear and sides of the vehicle?	1 and 3
Which control(s) is/are used when changing from one gear to another?	8 and 6
Which controls must you use when there is a sharp turn in the road?	1, 4, 6, 8, 9 and 10 only

2.7 Heavy Motor Vehicle - Manual gearbox

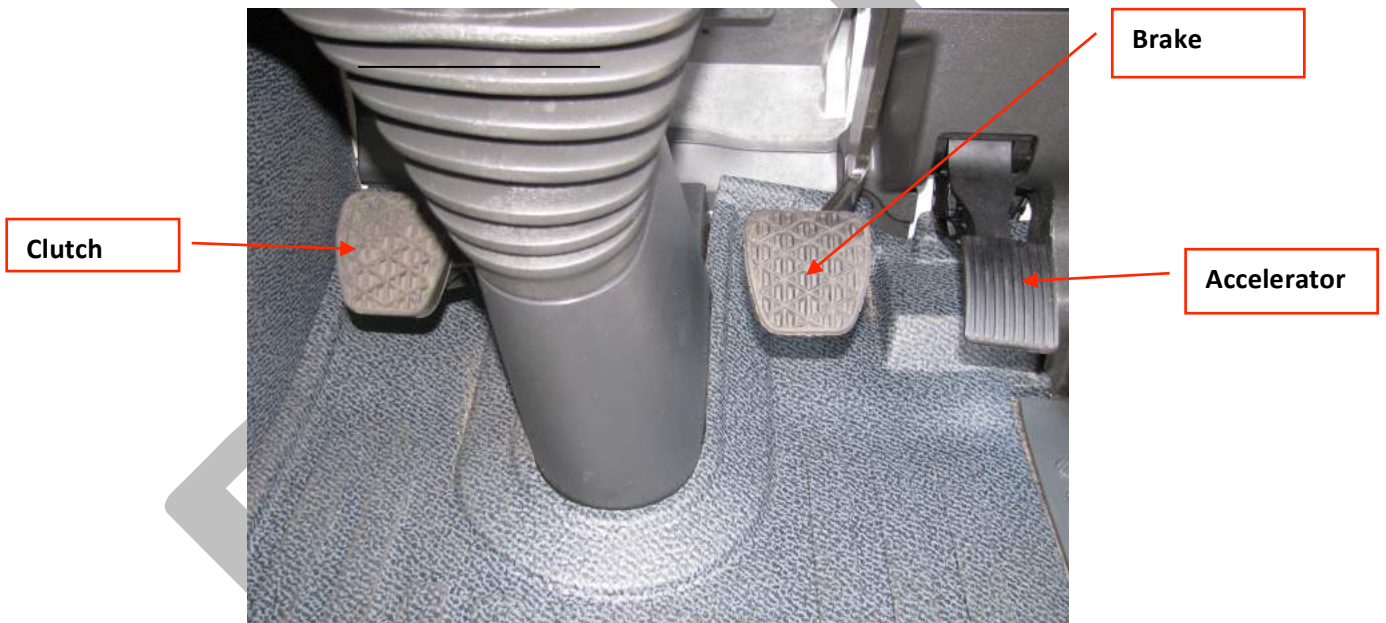


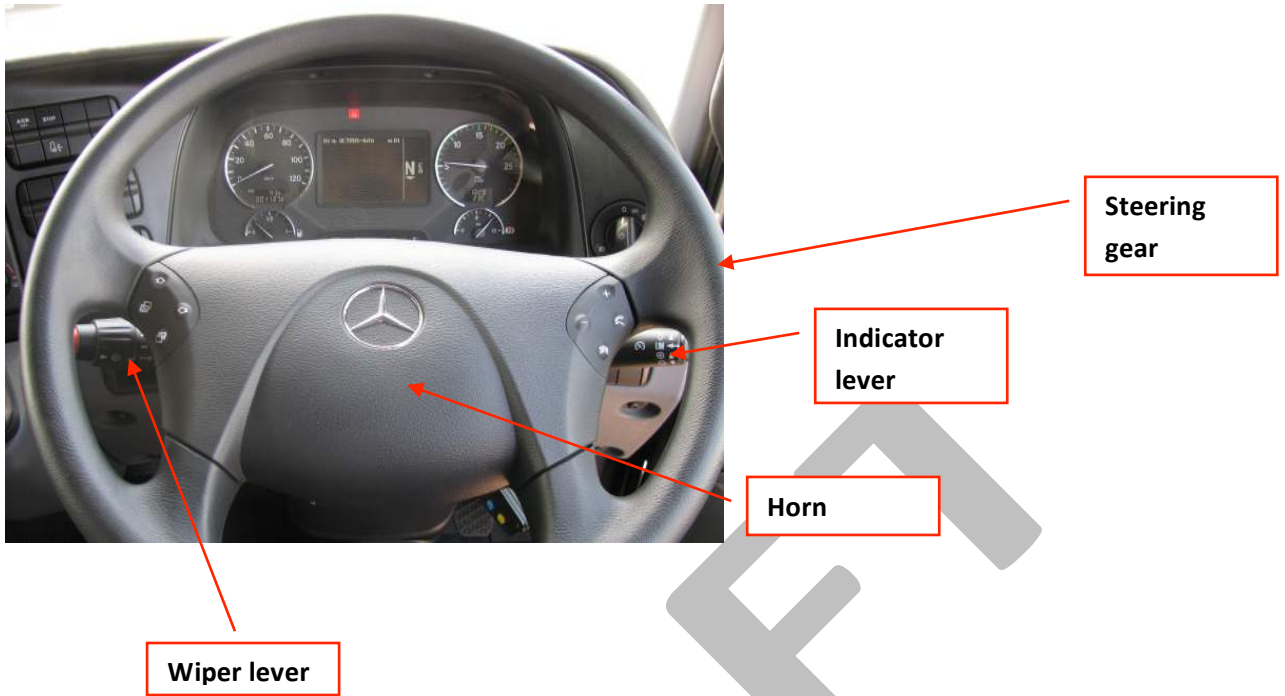
2.8 Identification of Controls

Component No	Description of Component
1	Centre rear view mirror
2	Window wiper
3	Left and right rear view mirrors
4	Steering wheel
5	Indicator light switch
6	Gear level – Note: The gear level for an automatic vehicle operates differently from a manual gear box system.
7	Hand brake
8	Clutch control.
9	Brake
10	Accelerator
11	Horn



2.9 Heavy motor vehicles manual gearbox





2.10 Heavy motor vehicle automatic gearbox



2.11 SAMPLE QUESTIONS

QUESTION	ANSWER
Control no 8 is used to ...	change gears.
Control no. 1 is the ...	rearview mirror (interior).
Control no. 2 is the ...	windscreen wipers.
Control no. 4 is the ...	steering wheel.
Control no. 5 is the ...	direction indicator.
Control no. 6 is the ...	gear lever.
The following control assists the driver when changing gears:	8
The following control is used to change the direction of the vehicle:	4
The following control is used to keep a parked vehicle stationary:	7
The following control is used to select the appropriate gear of the vehicle:	6
The following is a foot control	9
The following is not a hand control	10
The following is used to indicate the intention to change direction:	5
The following is used to monitor traffic:	3
To accelerate your vehicle, you must use number ...	10
To bring a vehicle to a complete standstill control no. ____ is used	9
To bring the speed down or stop the vehicle completely the following control is used:	9
To ensure that your parked vehicle does not move, use number ...	7
To increase and decrease the speed of the vehicle, the following control is used:	10
To indicate that you are going to turn you must use number ...	5
To keep the windscreen clear during rainy conditions, the following is used ...	2
To monitor traffic to the rear the following is used ...	3
To select a gear, you must use numbers ...	6 and 8
To stop your vehicle, you must use number ...	9
To turn your vehicle, number ... is used.	4
When control number 9 is used, the distance it takes the driver of a motor vehicle to stop it is ... (i) longer on a wet road than on a dry road. (ii) longer if the vehicle is travelling at a higher speed. (iii) longer if the vehicle is loaded. SELECT THE CORRECT COMBINATION	All of the above are correct
When intending to change direction the following controls are used:	1 + 3 + 5
When you stop on a steep incline and want to prevent the vehicle from rolling backwards, you use control(s) no. _____	7
Which controls must you use when there is a sharp turn in the road?	1, 3, 4, 6, 8, 9 and 10 only